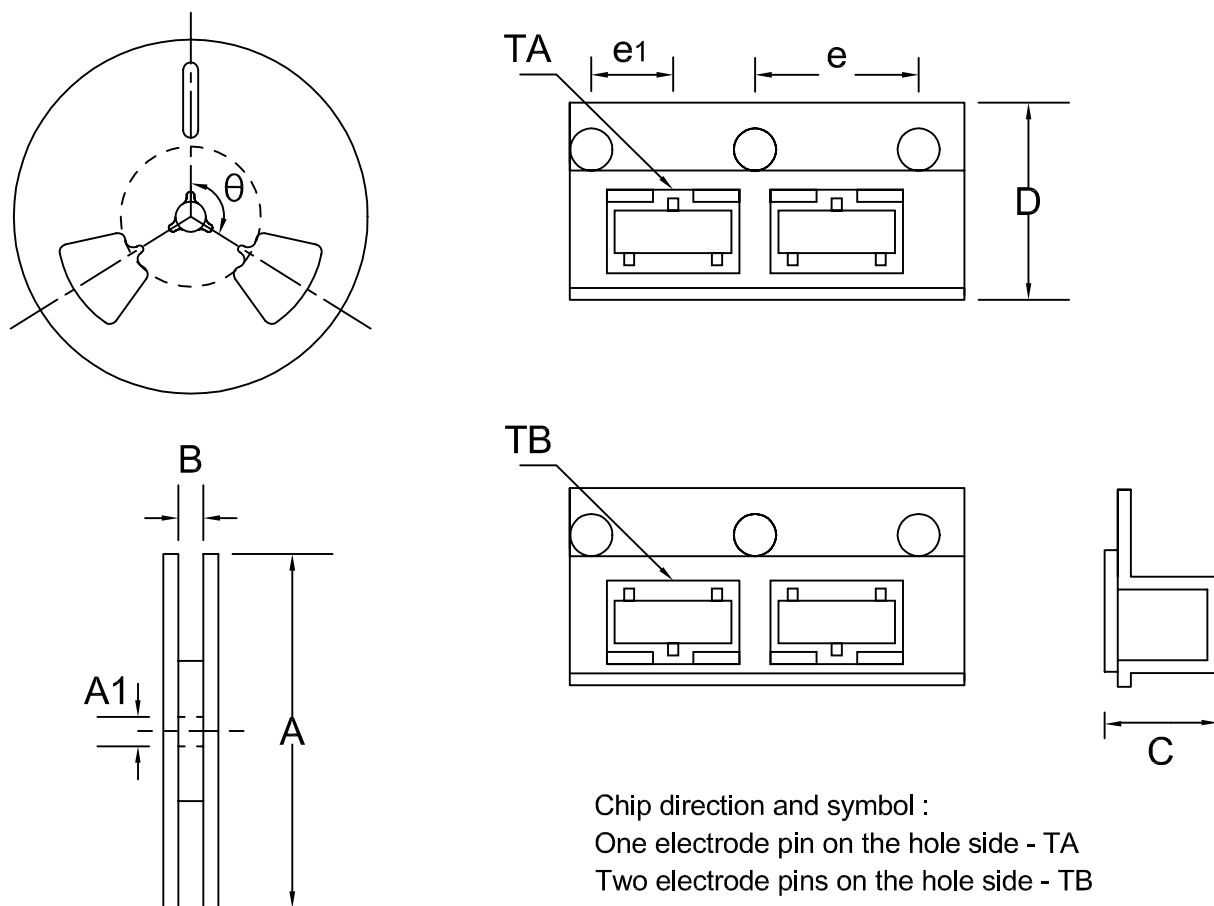


產品尺寸圖 (DIMENSION)



Symbol	Dimensions In Millimeters			Dimensions In Inches		
	Min	Nom	Max	Min	Nom	Max
A	176.00	178.00	180.00	6.929	7.008	7.087
A1	12.80	13.00	13.20	0.504	0.512	0.520
B	9.80	10.00	10.20	0.386	0.394	0.402
C	1.45	1.55	1.65	0.057	0.061	0.065
D	7.80	8.00	8.20	0.307	0.315	0.323
e	3.90	4.00	4.10	0.154	0.157	0.161
e1	1.90	2.00	2.10	0.075	0.079	0.083
θ	—	120°	—	—	120°	—

Note: QC. Inspection Range : A.A1.B.C.D

PACKAGE	TAPING(SOT-23)	
DRAWING NUMBER	DIM-TAPING-SOT23-0104-B	
SIGNATURE	ORG.	蘇育正
	APPR.	康哲郡