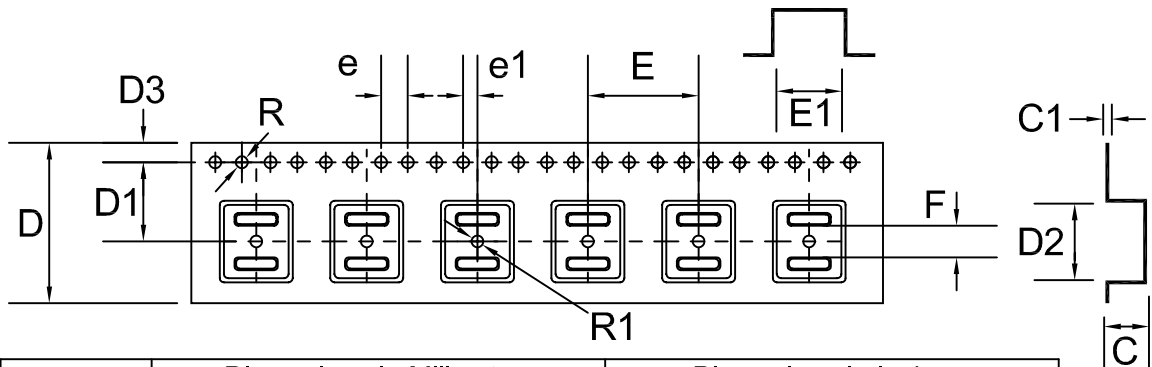
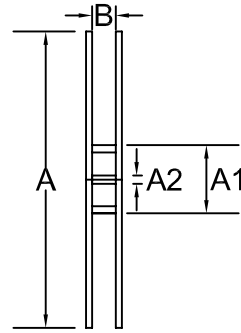
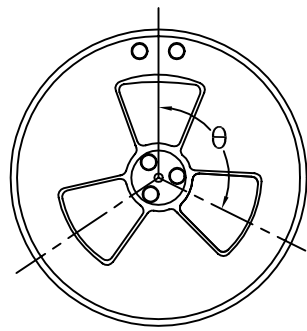


產品尺寸圖 (DIMENSION)



Symbol	Dimensions In Millimeters			Dimensions In Inches		
	Min	Nom	Max	Min	Nom	Max
A	327.00	330.00	333.00	12.874	12.992	13.110
A1	99.00	100.00	101.00	3.898	3.937	3.976
A2	13.30	13.50	13.70	0.524	0.531	0.539
B	24.20	24.50	24.80	0.953	0.965	0.976
C	3.10	3.20	3.30	0.122	0.126	0.130
C1	0.20	0.30	0.40	0.008	0.012	0.016
D	23.70	24.00	24.30	0.933	0.945	0.957
D1	11.40	11.50	11.60	0.449	0.453	0.457
D2	11.90	12.00	12.10	0.469	0.472	0.476
D3	1.65	1.75	1.85	0.065	0.069	0.073
E	15.90	16.00	16.10	0.626	0.630	0.634
E1	10.80	10.90	11.00	0.425	0.429	0.433
e	3.90	4.00	4.10	0.154	0.157	0.161
e1	1.90	2.00	2.10	0.075	0.079	0.083
F	6.40	6.50	6.60	0.252	0.256	0.260
R	1.45	1.50	1.60	0.057	0.059	0.063
R1	1.45	1.50	1.75	0.057	0.059	0.069
θ	—	120°	—	—	120°	—

Note: QC. Inspection Range : A.A2.B.C.D.D2.E1

PACKAGE	TAPING(SOP-18)	
DRAWING NUMBER	DIM-TAPING-SOP18-0107-A	
SIGNATURE	ORG.	蘇育正
	APPR.	康哲郡