

GSA1625

PNP SILICON TRANSISTOR

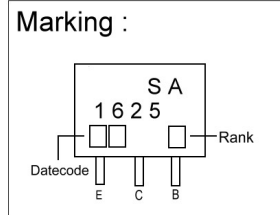
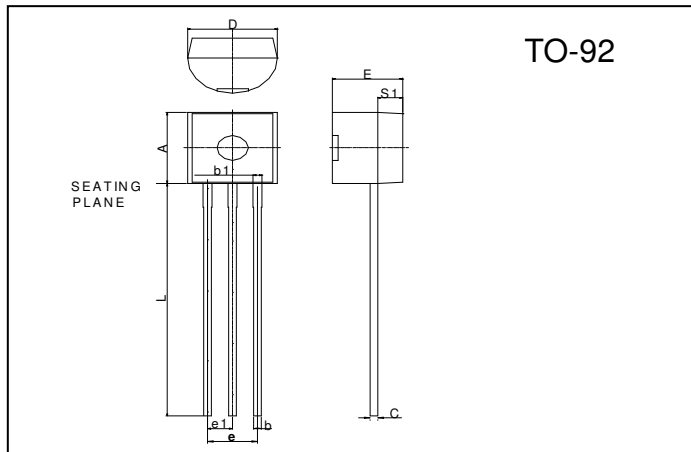
Description

The GSA1625 is designed for general purpose amplifier and high speed switching applications.

Features

- High Voltage
- High Speed Switching
- Low Collector Saturation Voltage

Package Dimensions



REF.	Millimeter		REF.	Millimeter	
	Min.	Max.		Min.	Max.
A	4.45	4.7	D	4.44	4.7
S1	1.02	-	E	3.30	3.81
b	0.36	0.51	L	12.70	-
b1	0.36	0.76	e1	1.150	1.390
C	0.36	0.51	e	2.42	2.66

Absolute Maximum Ratings at Ta = 25°C

Parameter	Symbol	Ratings	Unit
Junction Temperature	T _j	+150	°C
Storage Temperature	T _{stg}	-55 ~ +150	°C
Collector to Base Voltage	VCBO	-400	V
Collector to Emitter Voltage	VCEO	-400	V
Emitter to Base Voltage	VEBO	-7	V
Collector Current	I _C	-500	mA
Collector Current(pulse)*	I _C	-1000	mA
Total Power Dissipation	PD	750	mW

*p_w ≤ 2ms, Duty Cycle ≤ 50%

Characteristics at Ta = 25°C

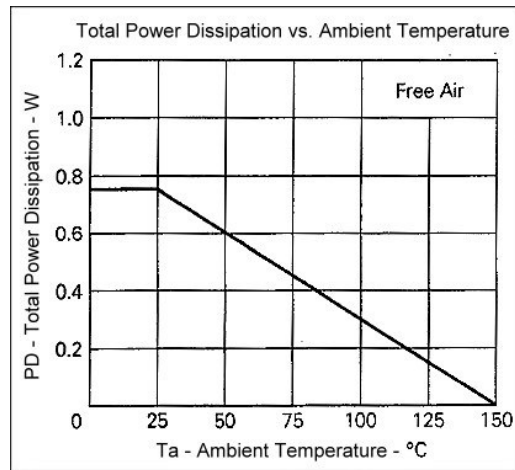
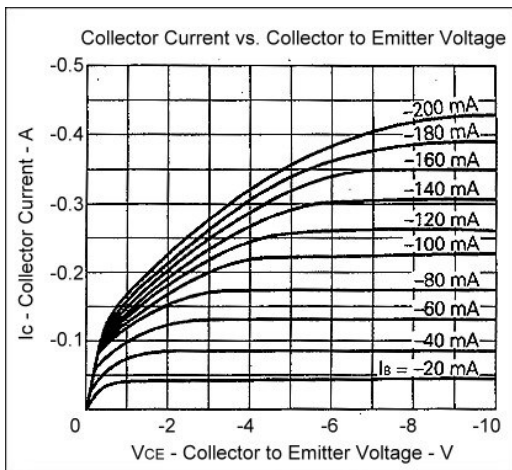
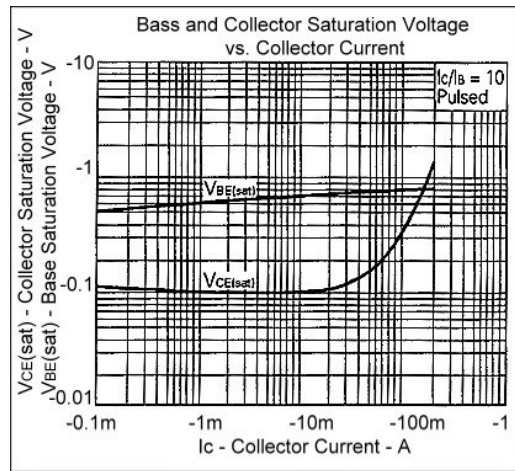
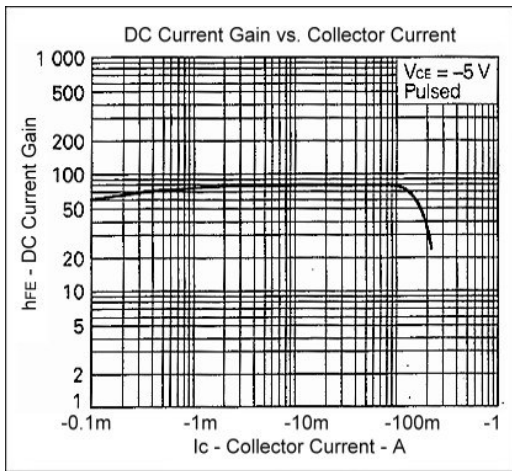
Symbol	Min.	Typ.	Max.	Unit	Test Conditions
BVCBO	-400	-	-	V	I _C = -100μA
BVCEO	-400	-	-	V	I _C = -1mA
BVEBO	-7	-	-	V	I _E = -100μA
ICBO	-	-	-10	μA	V _{CB} = -400V, I _E = 0
IEBO	-	-	-10	μA	V _{EB} = -5V, I _C = 0
*VCE(sat)	-	-	-0.5	V	I _C = -100mA, I _B = -10mA
*VBE(sat)	-	-	-1.2	V	I _C = -100mA, I _B = -10mA
*hFE	40	80	200		V _{CE} = -5V, I _C = -50mA
f _T	20	40	-	MHz	V _{CE} = -10V, I _E = -10mA
C _{ob}	-	17	20	pF	V _{CB} = -10V, I _E = 0, f = 1MHz

Classification Of hFE

* Pulse Test: Pulse Width ≤ 380μs, Duty Cycle ≤ 2%

Rank	M	L	K
Range	40 - 80	60 - 120	100 -200

Characteristics Curve



Important Notice:

- All rights are reserved. Reproduction in whole or in part is prohibited without the prior written approval of GTM.
- GTM reserves the right to make changes to its products without notice.
- GTM semiconductor products are not warranted to be suitable for use in life-support Applications, or systems.
- GTM assumes no liability for any consequence of customer product design, infringement of patents, or application assistance.

Head Office And Factory:

- **Taiwan:** No. 17-1 Tatung Rd. Fu Kou Hsin-Chu Industrial Park, Hsin-Chu, Taiwan, R. O. C.
 TEL : 886-3-597-7061 FAX : 886-3-597-9220, 597-0785
- **China:** (201203) No.255, Jang-Jiang Tsai-Lueng RD. , Pu-Dung-Hsin District, Shang-Hai City, China
 TEL : 86-21-5895-7671 ~ 4 FAX : 86-21-38950165