

GSC34063

DC TO DC CONVERTER CONTROLLER

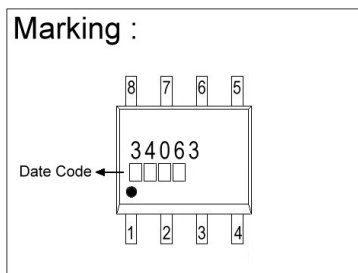
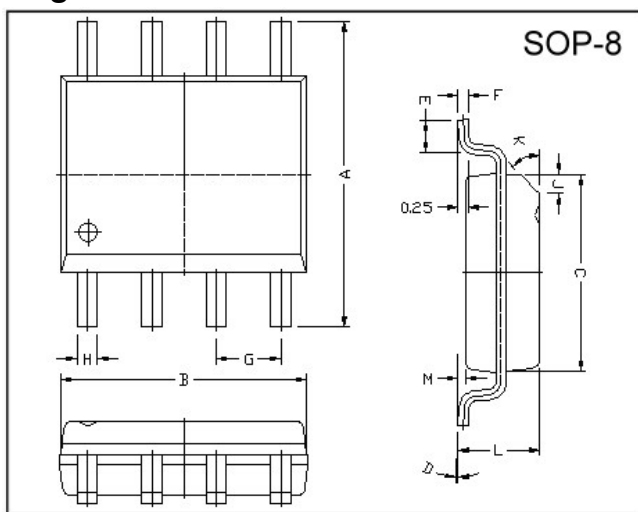
Description

The GSC34063 is a monolithic regulator subsystem, intended for use as DC to DC converter. This device contains a temperature compensated band gap reference, a duty-cycle control oscillator, driver and high current output switch. It can be used for step down, step-up or inverting switching regulators as well as for series pass regulators.

Features

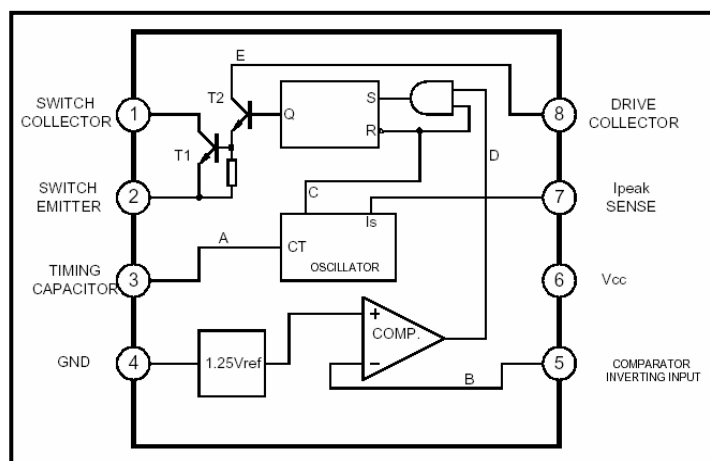
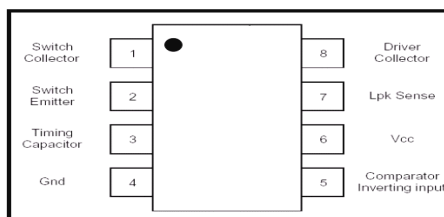
- *Operation from 3.0V to 40V.
- *Short circuit current limiting.
- *Low standby current.
- *Output switch current of 1.5A without external transistors.
- *Frequency of operation from 100Hz to 100kHz.
- *Step-up, step-down or inverting switch regulators.

Package Dimensions



REF.	Millimeter		REF.	Millimeter	
	Min.	Max.		Min.	Max.
A	5.80	6.20	M	0.10	0.25
B	4.80	5.00	H	0.35	0.49
C	3.80	4.00	L	1.35	1.75
D	0°	8°	J	0.375 REF.	
E	0.40	0.90	K	45°	
F	0.19	0.25	G	1.27 TYP.	

Pin Configuration & Block Diagram



Absolute Maximum Ratings at Ta = 25°C

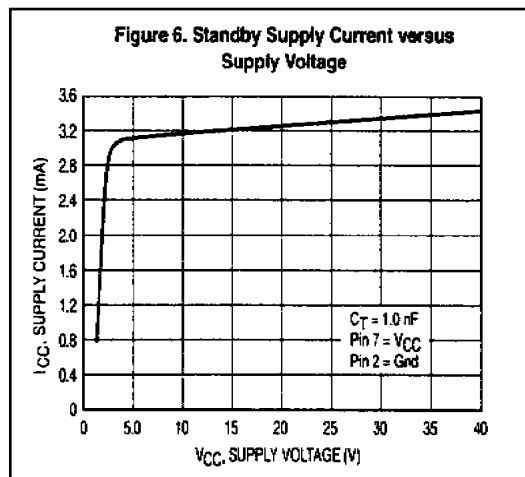
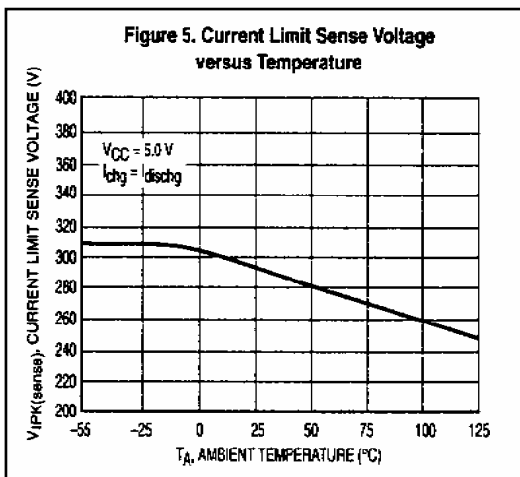
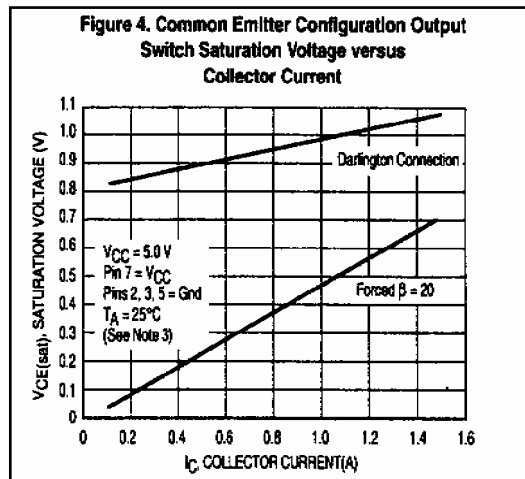
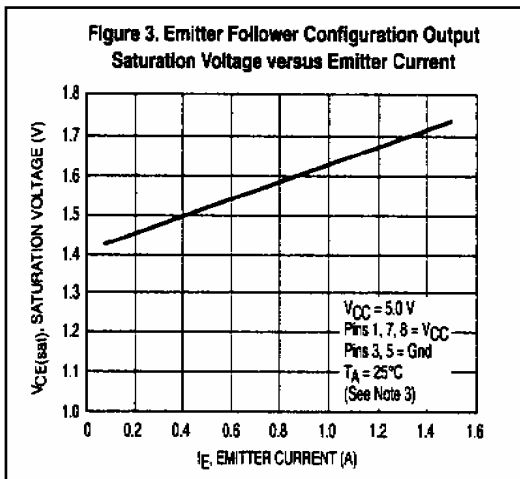
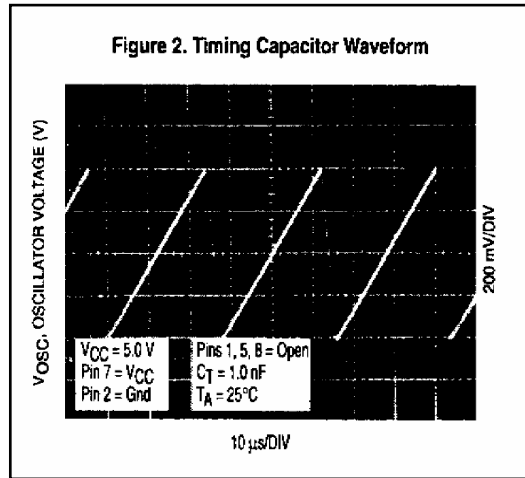
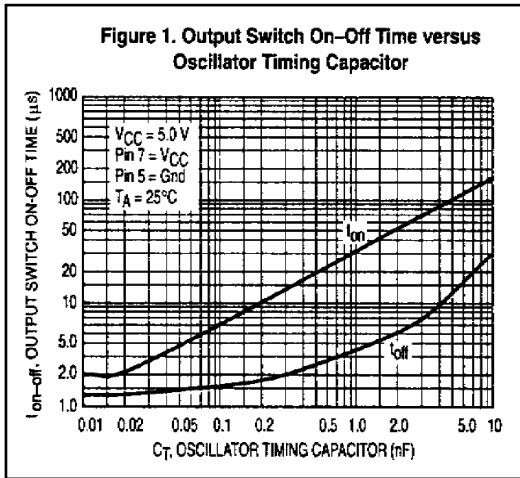
Parameter	Symbol	VALUE	Unit
Operating junction temperature	Tj	150	°C
Operating ambient temperature range	Ta	0 ~ 70	°C
Storage Temperature range	Tstg	-65 ~ 150	°C
Supply Voltage	Vcc	40	V
Comparator input voltage range	Vi(comp)	-0.3 ~ +40	V
Switch collector voltage	Vc(sw)	40	V
Switch Emitter voltage	Ve(sw)	40	V
Switch collector to Emitter voltage	Vce(dr)	40	V
Switch current	Isw	1.5	A
Power Dissipation	Pd	625	mW
Thermal Resistance	RθJA	160	°C / W

Electrical Characteristics (0°C ≤ TA ≤ 70°C, Vcc=5V unless otherwise specified)

Parameter	SYMBOL	Test Conditions	Min	Typ.	Max.	Unit	
Oscillator							
Frequency	fosc	V _{Pin5} =0V, C _T =1.0nF, Ta=25°C	24	42	48	kHz	
Charging Current	I _{chg}	Vcc = 5 to 40, Ta = 25°C	22	31	42	uA	
Discharging Current	I _{dischg}	Vcc = 5 to 40, Ta = 25°C	140	190	260	uA	
Discharge to Charge Current Ratio	K	Pin7 to Vcc, Ta = 25°C	5.2	6.1	7.5		
Current limit Sense Voltage	V _{sense}	I _{chg} = I _{dischg} , Ta = 25°C	250	300	350	mV	
Output Switch							
Saturation Voltage 1(note)	V _{ce(sat)1}	I _{sw} = 1A, V _{c(driver)} = V _{c(sw)}		0.95	1.3	V	
Saturation Voltage 2(note)	V _{ce(sat)2}	I _{sw} = 1A, V _{c(driver)} = 50mA		0.45	0.7	V	
DC Current Gain(note)	G _{i(DC)}	I _{sw} = 1A, V _{ce} = 5V, Ta = 25°C	50	180			
Collect Off State Current (note)	C(off)	V _{ce} = 40V, Ta = 25°C		0.01	100	uA	
Comparator							
Threshold Voltage	V _{th}	Vcc=5V, Ta = 25°C	34063A	1.241	1.25	1.259	V
			34063B	1.237	1.25	1.262	V
			34063C	1.225	1.25	1.275	V
Threshold Voltage Line Regulation	V _{th}	Vcc = 3 ~ 40V		2	5	mV	
Input Bias Current	I _{bias}	V _i = 0V		50	400	nA	
Total Device							
Supply Current	I _{cc}	Vcc = 5 ~ 40V, C _t = 0.001, Pin7 to Vcc, V _c > V _{th} , Pin2 = GND		2.7	4.0	mA	

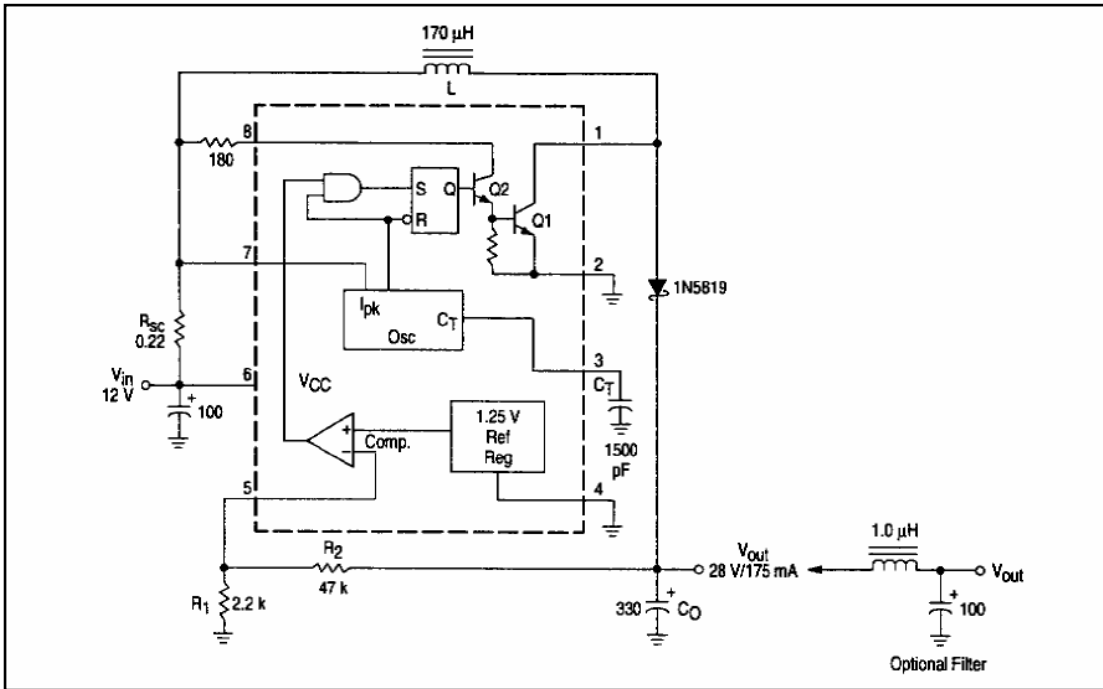
Note : Output switch tests are performed under pulsed conditions to minimize power dissipation.

Characteristics Curve



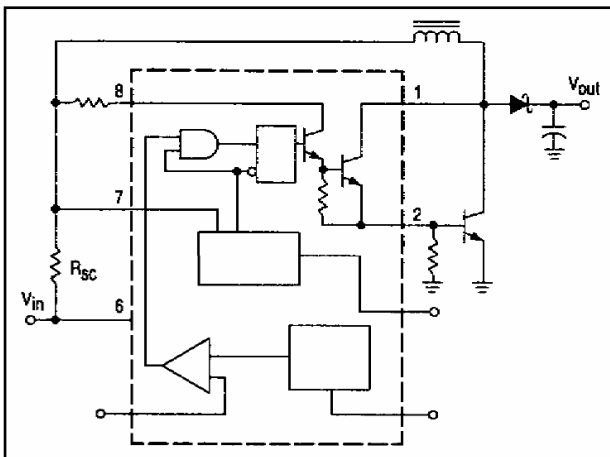
Application Information

Step-Up Converter

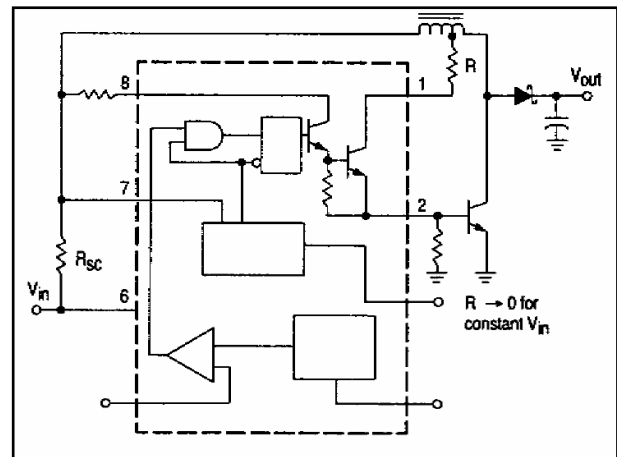


Test	Conditions	Results
Line Regulation	$V_{in} = 8V$ to $16V$, $I_o = 175mA$	$30mV = \pm 0.05\%$
Load Regulation	$V_{in} = 12V$, $I_o = 75mA$ to $175mA$	$10mV = \pm 0.017\%$
Output Ripple	$V_{in} = 12V$, $I_o = 175mA$	$400mV_{p-p}$
Efficiency	$V_{in} = 12V$, $I_o = 175mA$	87.7%
Output Ripple With Optional Filter	$V_{in} = 12V$, $I_o = 175mA$	$40mV_{p-p}$

External Current Boost Connections for I_c Peak Greater than 1.5A



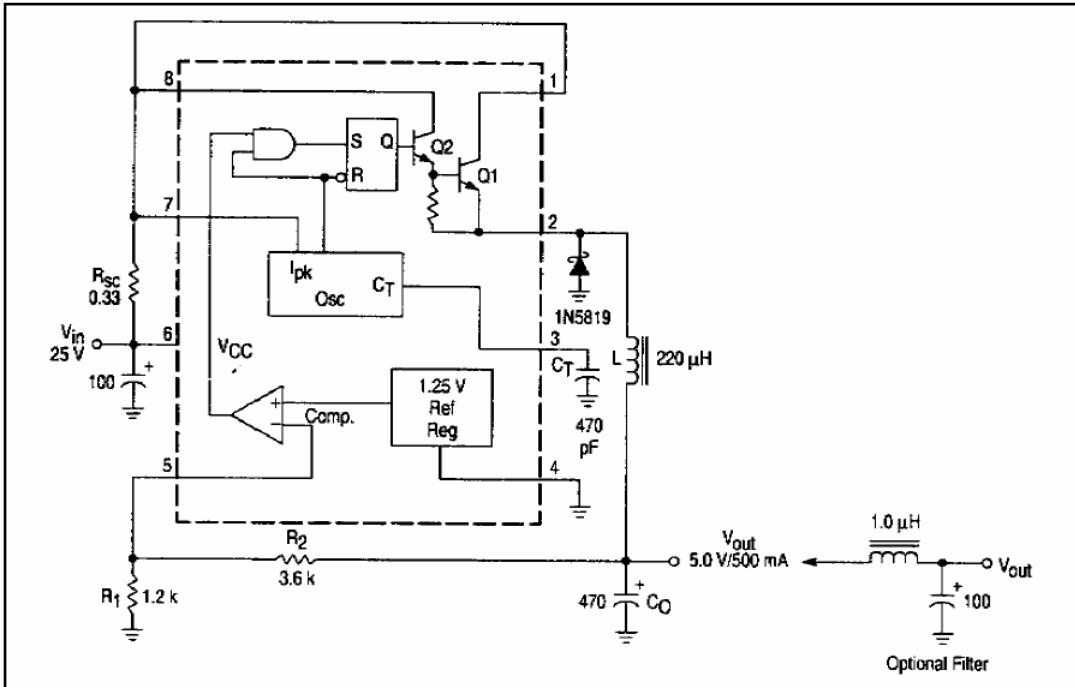
External NPN Switch



External NPN Saturated Switch (NOTE)

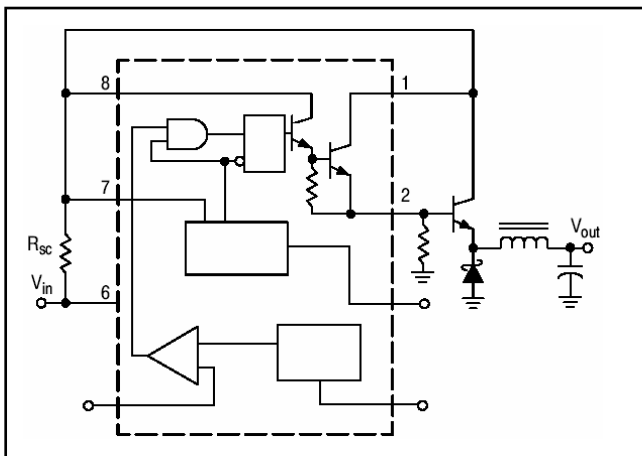
NOTE : If the switch is driven into hard saturation (non-Darlington configuration) at low switch currents ($\leq 300mA$) and high driver currents ($\geq 30mA$) it may take up to 2.0 us to come out of saturation. This condition will shorten the off time at frequencies $\geq 30kHz$, and is magnified at high temperatures. This condition does not occur with a Darlington configuration, since the output switch cannot saturate. If a non-Darlington configuration is used, the following output drive condition is recommended.

Step-Down Converter

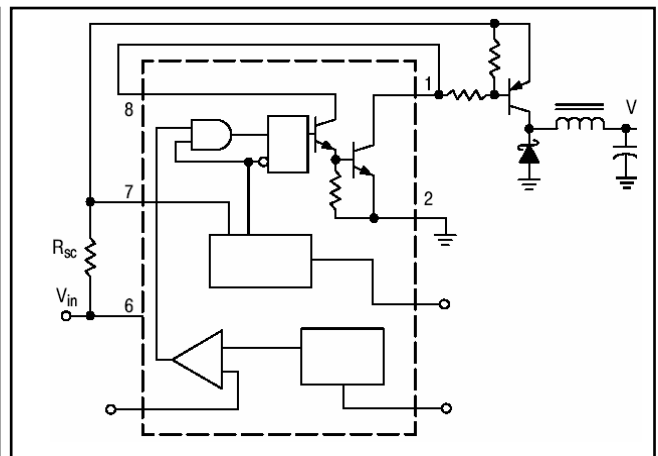


Test	Conditions	Results
Line Regulation	$V_{in} = 15V \text{ to } 25V, I_o = 50mA$	$12mV = \pm 0.12\%$
Load Regulation	$V_{in} = 25V, I_o = 50mA \text{ to } 500mA$	$3mV = \pm 0.03\%$
Output Ripple	$V_{in} = 25V, I_o = 500mA$	$120mV_{p-p}$
Short Circuit Current	$V_{in} = 25V, R_L = 0.1\Omega$	$1.1A$
Efficiency	$V_{in} = 25V, I_o = 500mA$	83.7%
Output Ripple With Optional Filter	$V_{in} = 25V, I_o = 500mA$	$40mV_{p-p}$

External Current Boost Connections for I_c Peak Greater than 1.5A

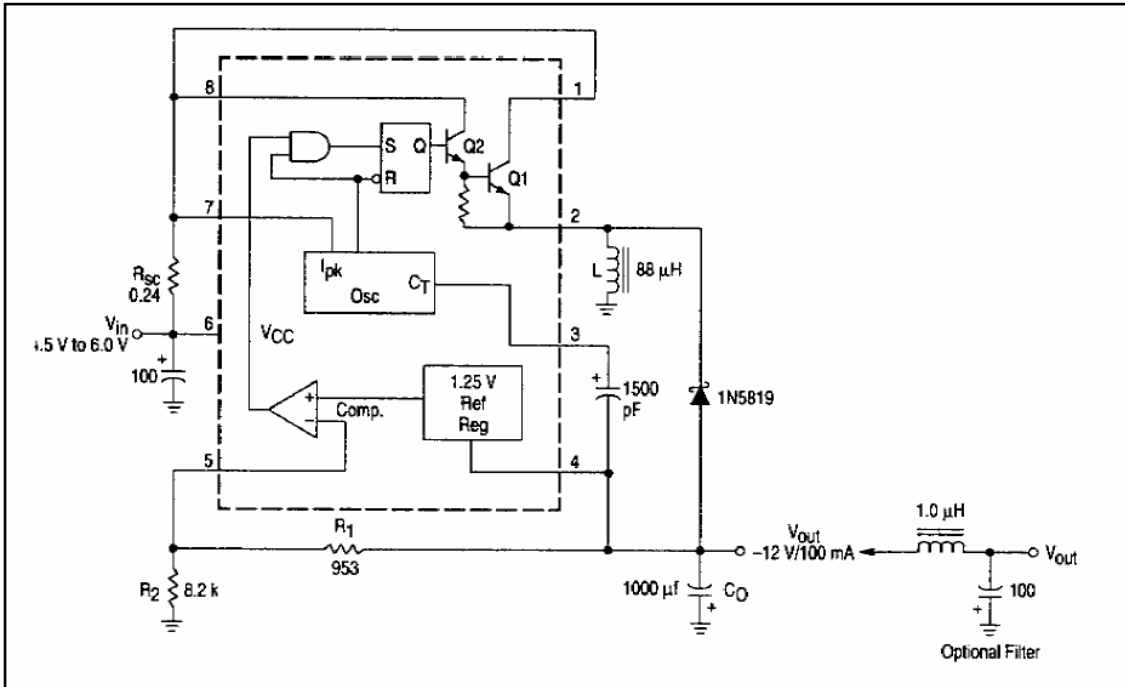


External NPN Switch



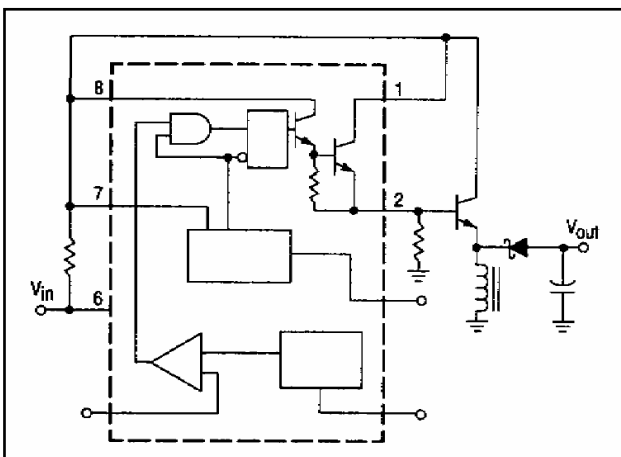
External PNP Saturated Switch

Voltage Inverting Converter

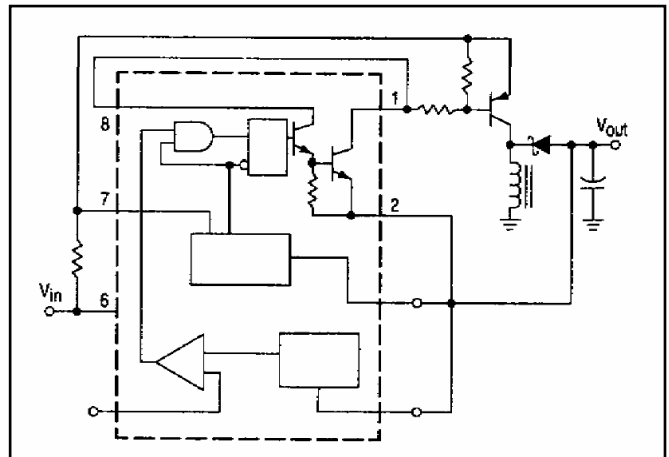


Test	Conditions	Results
Line Regulation	$V_{in} = 4.5V$ to $6.0V$, $I_o = 100mA$	$3mV = \pm 0.12\%$
Load Regulation	$V_{in} = 5V$, $I_o = 10mA$ to $100mA$	$0.022V = \pm 0.09\%$
Output Ripple	$V_{in} = 5V$, $I_o = 100mA$	$500mV_{p-p}$
Short Circuit Current	$V_{in} = 5V$, $R_L = 0.1\Omega$	$910mA$
Efficiency	$V_{in} = 5V$, $I_o = 100mA$	62.2%
Output Ripple With Optional Filter	$V_{in} = 5V$, $I_o = 100mA$	$70mV_{p-p}$

External Current Boost Connections for I_c Peak Greater than 1.5A



External NPN Switch



External PNP Saturated Switch

Important Notice:

- All rights are reserved. Reproduction in whole or in part is prohibited without the prior written approval of GTM.
- GTM reserves the right to make changes to its products without notice.
- GTM semiconductor products are not warranted to be suitable for use in life-support Applications, or systems.
- GTM assumes no liability for any consequence of customer product design, infringement of patents, or application assistance.

Head Office And Factory:

- Taiwan: No. 17-1 Tatung Rd. Fu Kou Hsin-Chu Industrial Park, Hsin-Chu, Taiwan, R. O. C.
- TEL: 886-3-597-7061 FAX: 886-3-597-9220, 597-0785
- China: (201203) No.255, Jang-Jiang Tsai-Lueng RD., Pu-Dung-Hsin District, Shang-Hai City, China
- TEL: 86-21-5895-7671 ~ 4 FAX: 86-21-38950165